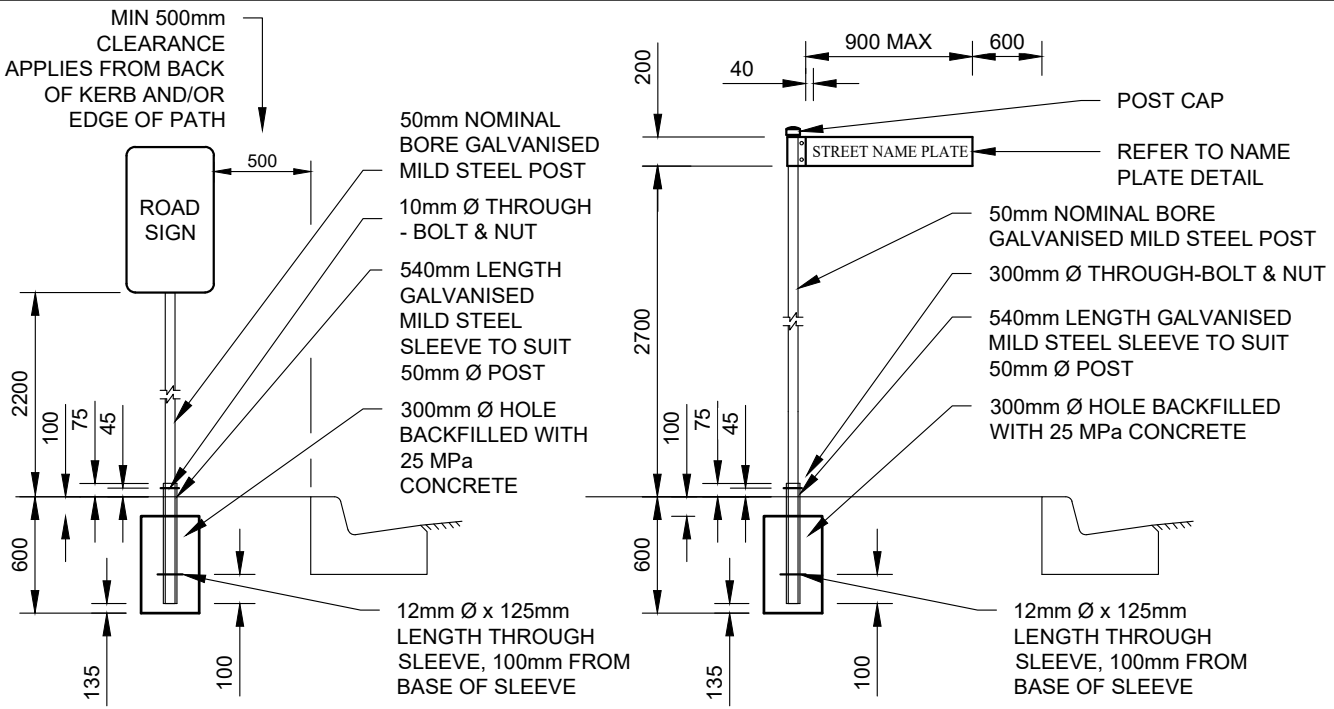
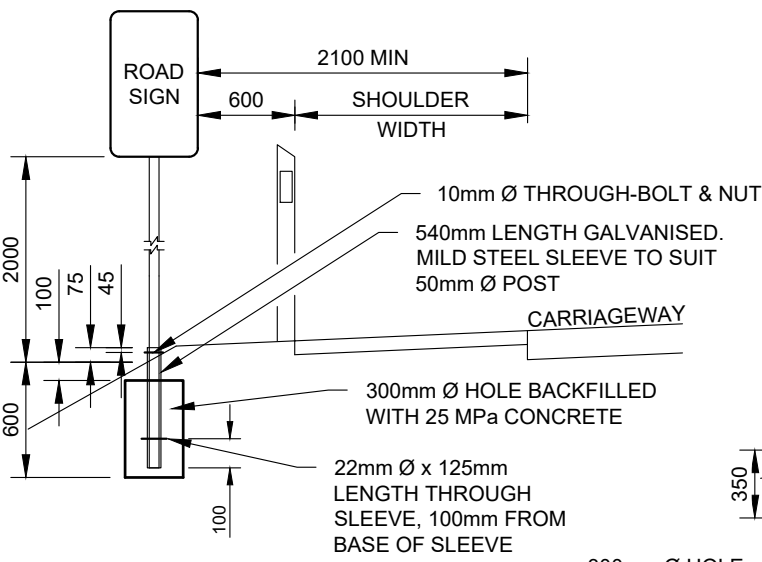


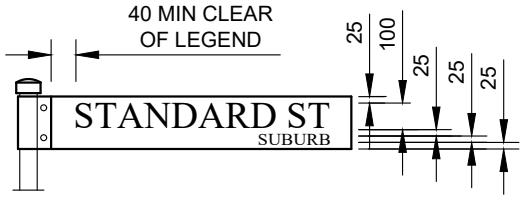
Drawing name: M:\Engineering Services\Engineering Design Projects\RESOURCE References\WCC Standard Drawings\SD11-1.dwg (28 May, 2024)



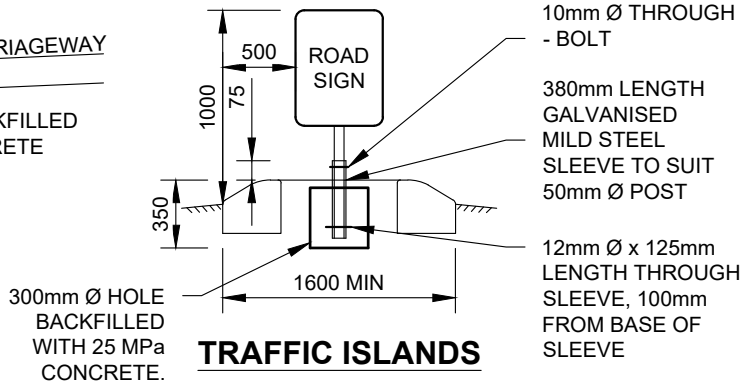
BEHIND BACK OF KERB AND CHANNEL



BEHIND SHOULDER



NAME PLATE DETAIL



TRAFFIC ISLANDS

- NOTES :**
1. POST TOP TO BE 50mm BELOW THE TOP EDGE OF THE SIGN AND TO BE CAPPED.
 2. FOR TRAFFIC ISLANDS NARROWER THAN 1.6m REFER TO WYNDHAM CITY COUNCIL'S TRAFFIC ENGINEER.
 3. SIGNS IN THE PAVED AREAS TO BE SLEEVED, WITH BOLT THROUGH SLEEVE & POST.
 4. ALL SIGNS TO BE DESIGNED, PRODUCED AND INSTALLED IN ACCORDANCE WITH AS 1743.
 5. STREET SIGN COLOUR TO BE BLACK TEXT ON WHITE BACKGROUND.
 6. ALL SIGNS TO BE CLASS 400 IN ACCORDANCE WITH AS/NZS 1906.1.
 7. SUBURB IS POST CODE SUBURB.
 8. ALUMINIUM MATERIAL MAY BE USED WHERE REQUIRED, SUBJECT TO APPROVAL BY COUNCIL.

REV	AMENDMENTS	APPROVAL	DATE
B	DELETED NOTE 4, MINOR DRAFTING MODIFICATIONS		17-07-07
C	UPDATED TO REFLECT CURRENT STANDARDS	M.BRIGANDI	21-05-24

TYPICAL ROAD SIGN LOCATIONS AND STREET NAME PLATE DETAIL

45 PRINCES HIGHWAY
WERRIBEE, VIC 3030

TEL: 1300 023 411
wyndham.vic.gov.au

CAD FILE: SD11-1.DWG
DRAWN DATE: FEB 2024
REVISION: C
DRAWING NO.: SD11-1

GENERAL NOTES:

- DRAWINGS ARE NOT TO SCALE.
- ALL MEASUREMENTS ARE IN MILLIMETERS UNLESS OTHERWISE STATED.
- FOR UP TO DATE DRAWINGS PLEASE CHECK WYNDHAM CITY COUNCIL WEBSITE.
- ALL STANDARD DRAWINGS TO BE USED IN CONJUNCTION WITH SD1-1 (STANDARD DRAWINGS CONDITIONS OF USE).