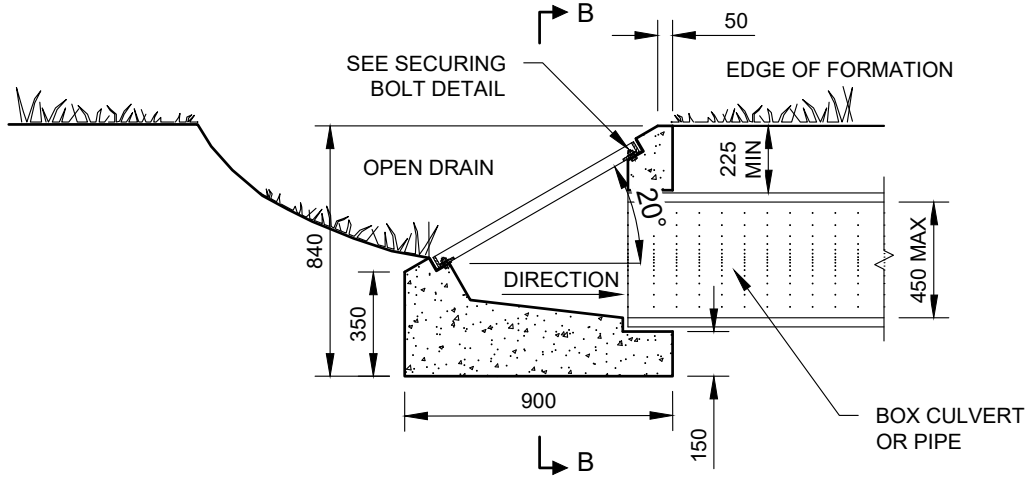
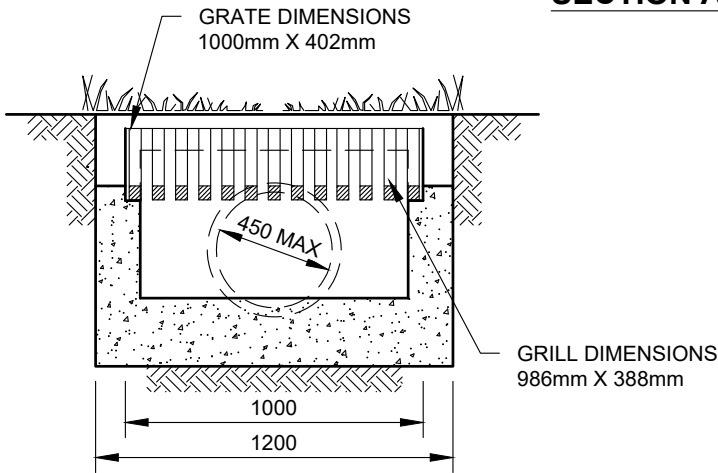


Drawing name: M:\Engineering Services\Engineering Design Projects\RESOURCE References\WCC Standard Drawings\SD5-4.dwg (28 May, 2024)



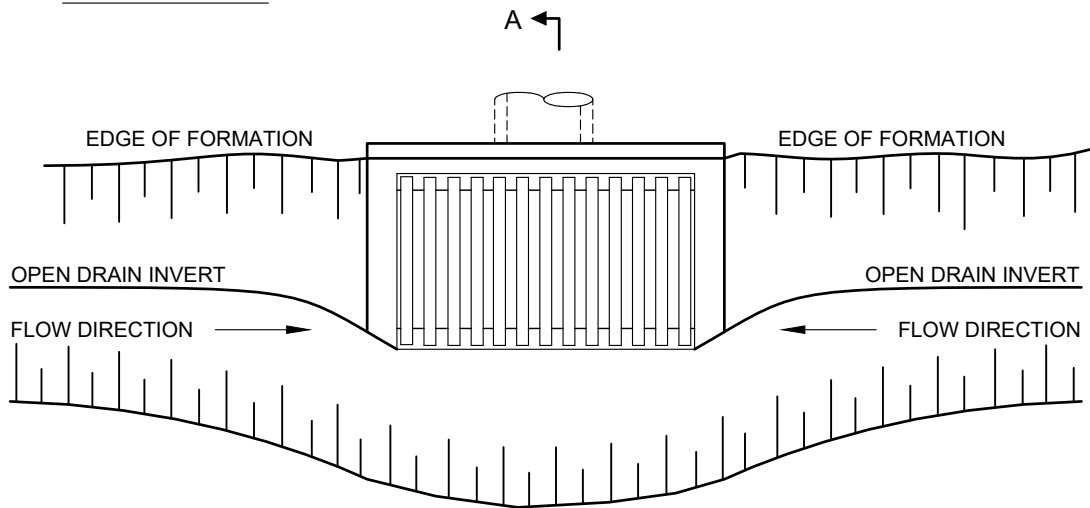
SECTION A-A



SECTION B-B

NOTES:

1. REINFORCEMENT NOT REQUIRED FOR THIS PIT TYPE.
2. ALL PITS TO BE LOCATED A MINIMUM OF 1m CLEAR OF VEHICLE CROSSINGS.
3. CLASS D GRILL TO BE USED AS APPROVED BY COUNCIL.
4. NOT TO BE CONSTRUCTED WITHIN CLEAR ZONE.
5. CONCRETE STRENGTH OF 32MPa AT 28 DAYS.



PLAN

REV	AMENDMENTS	APPROVAL	DATE
B	MINOR DRAFTING MODIFICATIONS		13-05-07
C	UPDATED TO REFLECT CURRENT STANDARDS	M.BRIGANDI	21-05-24

**SHALLOW INLET CATCH PIT FOR OPEN DRAIN
FOR PIPES UP TO 450mm DIAMETER**

45 PRINCES HIGHWAY
WERRIBEE, VIC 3030

TEL: 1300 023 411
wyndham.vic.gov.au

CAD FILE: SD5-4.DWG
DRAWN DATE: FEB 2024
REVISION: C
DRAWING NO.: SD5-4

GENERAL NOTES:

- DRAWINGS ARE NOT TO SCALE.
- ALL MEASUREMENTS ARE IN MILLIMETERS UNLESS OTHERWISE STATED.
- FOR UP TO DATE DRAWINGS PLEASE CHECK WYNDHAM CITY COUNCIL WEBSITE.
- ALL STANDARD DRAWINGS TO BE USED IN CONJUNCTION WITH SD1-1 (STANDARD DRAWINGS CONDITIONS OF USE).