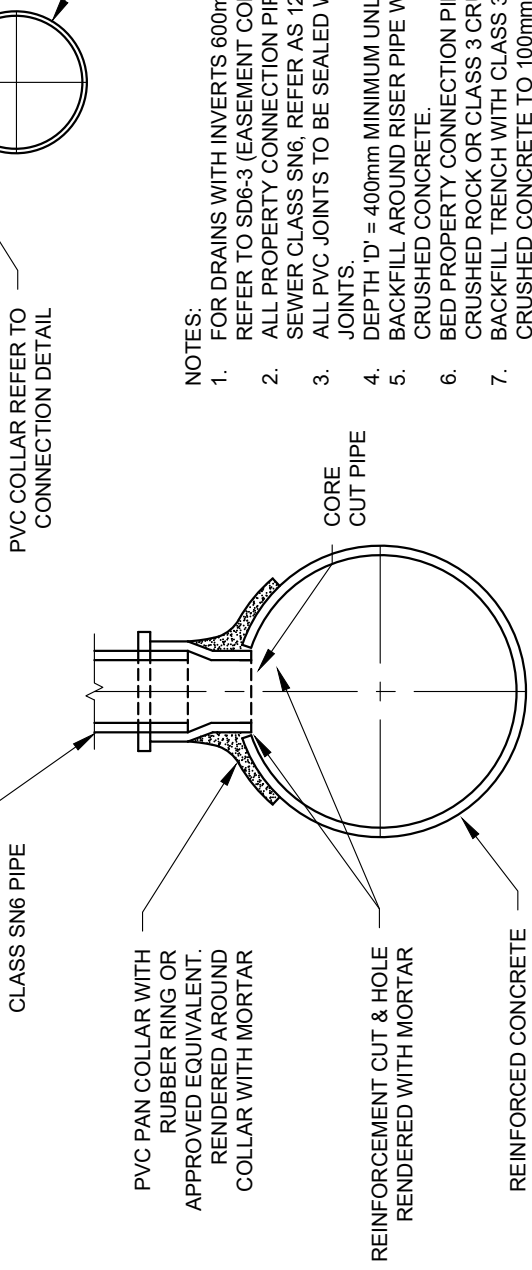


TYPICAL CROSS SECTION



DETAIL

NOTES:

1. FOR DRAINS WITH INVERTS 600mm DEEP OR LESS FROM FINISH SURFACE, REFER TO SD6-3 (EASEMENT CONNECTION TO PIPE).
2. ALL PROPERTY CONNECTION PIPES AND FITTINGS TO BE OF 100mm PVC SEWER CLASS SN6. REFER AS 1260.
3. ALL PVC JOINTS TO BE SEALED WITH SOLVENT CEMENT OR RUBBER RING JOINTS.
4. DEPTH 'D' = 400mm MINIMUM UNLESS OTHERWISE APPROVED BY COUNCIL.
5. BACKFILL AROUND RISER PIPE WITH CLASS 3 CRUSHED ROCK OR CLASS 3 CRUSHED CONCRETE.
6. BED PROPERTY CONNECTION PIPE ON 50mm COMPACTED 20mm CLASS 3 CRUSHED ROCK OR CLASS 3 CRUSHED CONCRETE.
7. BACKFILL TRENCH WITH CLASS 3 20mm CRUSHED ROCK OR CLASS 3 20mm CRUSHED CONCRETE TO 100mm ABOVE THE PROPERTY CONNECTION.
8. NOT APPLICABLE TO MELBOURNE WATER CORPORATION (MWC) DRAINAGE ASSETS. FOR MWC WORKS REFER TO MWC LAND DEVELOPMENT MANUAL.
9. WHERE INSPECTION OPENINGS ARE LOCATED WITHIN A PAVED SURFACE, AN APPROVED HEAVY DUTY CAST IRON FITZROY BOX MUST BE INSTALLED.

REV	AMENDMENTS	APPROVAL	DATE
B	MINOR DRAFTING MODIFICATIONS		16-05-07
C	INCREASED HD INSPECTION POINT COVER TO 300mm		01-09-09
D	UPDATED TO REFLECT CURRENT STANDARDS	M.BRIGANDI	21-05-24

PROPERTY CONNECTION TO UNDERGROUND DRAIN

45 PRINCES HIGHWAY
WERRIBEE, VIC 3030

TEL: 1300 023 411
wyndham.vic.gov.au

CAD FILE: SD6-2.DWG
DRAWN DATE: FEB 2024
REVISION: D
DRAWING NO.: SD6-2

GENERAL NOTES:

- DRAWINGS ARE NOT TO SCALE.
- ALL MEASUREMENTS ARE IN MILLIMETERS UNLESS OTHERWISE STATED.
- FOR UP TO DATE DRAWINGS PLEASE CHECK WYNDHAM CITY COUNCIL WEBSITE.
- ALL STANDARD DRAWINGS TO BE USED IN CONJUNCTION WITH SD1-1 (STANDARD DRAWINGS CONDITIONS OF USE).