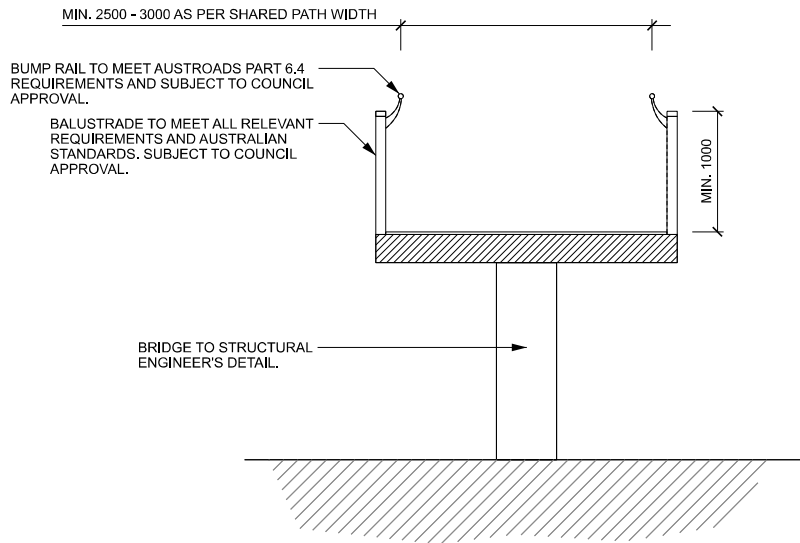
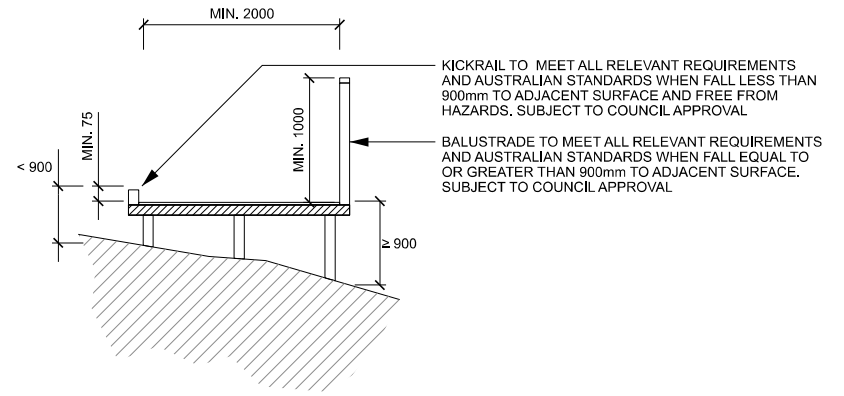


NOTE:  
 - BRIDGE DETAILS ONLY OUTLINE MINIMUM REQUIREMENTS  
 MATERIALS AND FINISHES SUBJECT TO COUNCIL APPROVAL.  
 - ALL SHOP DRAWINGS TO BE APPROVED BY COUNCIL PRIOR TO  
 FABRICATION.



1 SHARED USER BRIDGE  
 TYPICAL SECTION 1:50



2 PEDESTRIAN BRIDGE  
 TYPICAL ELEVATION 1:50

| REV. | DESCRIPTION   | DATE     | DRN  | CHKD |
|------|---------------|----------|------|------|
| 1    | COUNCIL ISSUE | 12.07.24 | M.M. | R.D. |
|      |               |          |      |      |
|      |               |          |      |      |
|      |               |          |      |      |
|      |               |          |      |      |

NOTES  
 - ALL MEASUREMENTS ARE IN MILLIMETRES UNLESS OTHERWISE STATED.  
 - REFER WYNDHAM CITY COUNCIL WEBSITE TO ENSURE DRAWINGS ARE THE LATEST REVISION.  
 - DRAWINGS ARE CONCEPT ONLY AND NOT SPECIFIC TO ANY SITE OR SITE CONDITIONS.  
 - DRAWINGS CONTAIN TYPICAL ENGINEERING DETAIL FOR INFORMATION ONLY AND WILL REQUIRE PROJECT AND SITE SPECIFIC STRUCTURAL ENGINEERING AND OR SHOP DRAWINGS.  
 - DRAWINGS WILL BE SUBJECT TO CHANGE THROUGHOUT DESIGN AND CONSTRUCTION PROCESS.  
 - OVERALL LAYOUT, SIZE AND THEME WILL NOT CHANGE.  
 - THE DESIGN ASSUMES THAT THE DESIGN WILL BE DEVELOPED AND CONSTRUCTED BY A SUITABLY QUALIFIED CONTRACTOR WITH MINIMUM 10 YEARS RELEVANT INDUSTRY EXPERIENCE.



STANDARD DETAIL - LANDSCAPE

BRIDGES  
 SHARED USER BRIDGE  
 SHEET 1 OF 1

STATUS COUNCIL ISSUE NOT FOR CONSTRUCTION

| SCALE    | DATE       |
|----------|------------|
| AS SHOWN | 26.09.2023 |
| DWG No.  | REV        |
| OS 701   | 1          |