

Information Sheet: Public Lighting – Shared Paths

Purpose:

Council require appropriately scaled lighting along all roads and major shared paths traversing public open space.

Lighting is provided to facilitate safe movement of vehicles, cyclists and pedestrians by allowing clear identification of objects and people. Lighting path networks and Open Spaces without passive surveillance is dangerous and may attract anti-social behaviour.

The provision of good functional lighting will enhance the perception of safety and security associated with an area, and encourages patronage.

Scope:

Lighting pathways is important to ensure safe movement around the city and to core destinations. Approved lighting of pathways will be lit from dusk to dawn, 12 months of the year with smart lighting technology.

The installation of lighting along the shared path network will be approved where the main purpose is to link people to destinations, including, neighboring municipalities, shopping precincts and/or transport centers. Lighting thoroughfares will be approved, where the surrounding street lighting network is not adequate, and the thoroughfare is the only option to achieve connectivity.

All landscape submissions that include major shared paths must be accompanied by a Lighting Plan prepared by a suitably qualified lighting engineer demonstrating that shared paths are provided with lighting in accordance with Part 3:1 of AS1158 (2020) showing lighting lux levels, location, lumen spill illumination map etc.

Light spill from adjoining Public Street Lighting may contribute to the overall compliance with AS1158 (2020) and lighting levels.

Further consideration is required for lighting within or close to identified Conservation Areas including requirements to provide appropriate light baffling to native vegetation and Growling Grass Frog habitat.

Light poles must be within a concrete surface or within a garden bed for mowing purposes and offset 3000mm from any tree.

WCC standard Public Lighting guideline as follows:

- *Lighting solution must provide lighting to P3 lighting standard during activity in accordance with the relevant Australian Standards (including AS1158 Pedestrian Area Lighting (2020)).*
- *Lighting solution shall dim to P5 after 5 minutes of no activity via motion sensors.*
- *The lighting solution must be fully solar operated with batteries.*
- *The batteries must provide minimum eight (8) hours operating time while running at full brightness (to luminance levels required to P3 standard) and minimum thirty (30) hours with dim light (to luminance levels required for P5 standard).*
- *The proposed solution must have the batteries, controls & solar panels stored in a secure and hard to reach location to prevent theft or damage.*
- *All lighting poles must allow for maintenance of light fittings and batteries at ground level.*
- *The lighting must allow for remote control technology to adjust operating times.*
- *The colour temperature for general shall be a max 3000 Kelvin*

Council Approved Lighting Product:

Phillips Sunstay Leadsun – See following page for specification



Sun Stay. All In One solar street light

SunStay

An integrated solar street light with a lithium ferro phosphate battery, solar panel and charger built into the luminaire. Pressure die-cast aluminium for sturdiness and long life. A specially designed pole-mounting bracket allows different tilt angles, lateral and pole-top mounting.

Benefits

- Brings light to areas without access to electric grid
- Saves energy
- Preserves landscape as no trenching for cabling required
- Environment friendly
- Sturdy construction for long life

Features

- High luminous efficacy of 175 lm/Watt to maximise battery performance
- Replaceable Lithium Ferro Phosphate battery for long life and hassle free operations.
- MPPT charge controller for maximum efficiency
- Pressure die-cast aluminium housing for sturdiness and excellent heat dissipation.
- Specially designed pole mounting bracket with adjustable tilt angles of 0 to 15 degrees, which can also be used in post top & lateral mounting positions
- Factory set dimming profile along with PIR sensor for run time maximisation.
- Self diagnostic feature along with battery charging, discharging & cut-off LED Indicators

Application

- Category P roads
- Rural areas
- Parks, pedestrian path lighting
- Industries, office, schools
- Shopping centres, corporate campuses, plazas

Versions



Application conditions	
Ambient temperature range for charging	0 °C to +45 °C
	0 to +35 °C
Operating and electrical	
Battery charging & discharging cycles	2000
Battery type	Lithium Ferro

Application conditions

Order Code	Full Product Name	Ambient temperature range for discharging	Battery location	Grid connection type	Solar dimming profile
		(when light is on) °C			
919415811054	SPARE BT	-20 °C to +60 °C	-	-	-
	LFP 12.8V				
	13.6Ah				
	SOLAR EQUIP				
919415811055	SPARE BT	-20 °C to +60 °C	-	-	-
	LFP 12.8V				
	20Ah				
	SOLAR EQUIP				

Order Code	Full Product Name	Ambient temperature range for discharging	Battery location	Grid connection type	Solar dimming profile
		(when light is on) °C			
919415811056	SPARE BT	-20 °C to +60 °C	-	-	-
	LFP 12.8V				
	30Ah				
	SOLAR EQUIP				
919515812387	BRP710	-20 °C to +35 °C	Inside	Off grid	30% Dusk to dawn, 100% on motion.
	LED20 CW		Luminaire		
	MR S1 12V				
	LFP AIO				(Sensor disabled for 5
	Solar				

Order Code	Full Product Name	Ambient temperature range for discharging (when light is on)		Battery location	Grid connection type	Solar dimming profile
						Hrs, after 5 Hrs)
919515812388	BRP710 LED30 CW MR S1 12V LFP AIO Solar	-20 °C to +35 °C	Inside Luminaire	Off grid	30% Dusk to dawn, 100% on motion.	(Sensor disabled for 5 Hrs, after 5 Hrs)
919515812966	BRP710 LED20 WW MR 12V LFP Solar	-20 °C to +35 °C	Inside Luminaire	Off grid	30% Dusk to dawn, 100% on motion.	(Sensor disabled for 5 Hrs, after 5 Hrs)
919515812971	BRP710 LED30 WW MR 12V LFP AIO Solar	-20 °C to +35 °C	Inside Luminaire	Off grid	30% Dusk to dawn, 100% on motion.	(Sensor disabled for 5 Hrs, after 5 Hrs)
919515812978	BRP710 LED20 NW MR 12V LFP Solar	-20 °C to +35 °C	Inside Luminaire	Off grid	30% Dusk to dawn, 100% on motion.	(Sensor disabled for 5 Hrs, after 5 Hrs)
919515812983	BRP710 LED30 NW MR 12V LFP AIO Solar	-20 °C to +35 °C	Inside Luminaire	Off grid	30% Dusk to dawn, 100% on motion.	(Sensor disabled for 5 Hrs, after 5 Hrs)
919515814304	BRP710 LED30 WW 60MO PDIM30 BLE Solar	-20 °C to +35 °C	Inside Luminaire	Off grid	30% Dusk to dawn, 100% on motion.	(Sensor disabled for 5 Hrs, after 5 Hrs)
919515898027	BRP710 LED30 NW 35MO	-20 °C to +35 °C	Inside Luminaire	Off grid	30% Dusk to dawn, 100% on motion.	

Order Code	Full Product Name	Ambient temperature range for discharging (when light is on)		Battery location	Grid connection type	Solar dimming profile
						(Sensor disabled for 5 Hrs, after 5 Hrs)
919515898031	BRP710 LED30 NW 60MO PDIM30 BLE SOLAR EX	-20 °C to +35 °C	Inside Luminaire	Off grid	30% Dusk to dawn, 100% on motion.	(Sensor disabled for 5 Hrs, after 5 Hrs)
919515898033	BRP710 LED20 WW 35MO PDIM50 BLE SOLAR EX	-20 °C to +35 °C	Inside Luminaire	Off grid	50% Dusk to dawn, 100% on motion.	(Sensor disabled for 5 Hrs, after 5 Hrs)
919515898034	BRP710 LED20 NW 35MO PDIM50 BLE SOLAR EX	-20 °C to +35 °C	Inside Luminaire	Off grid	50% Dusk to dawn, 100% on motion.	(Sensor disabled for 5 Hrs, after 5 Hrs)
919515812830	BRP710 LED45 CW MR S1 12V LFP Solar IN	-20 °C to +35 °C	Inside Luminaire	Off grid	30% Dusk to dawn, 100% on motion.	(Sensor disabled for 5 Hrs, after 5 Hrs)
919515813566	BRP710 LED45 CW MR S1 12V LFP Solar	-20 °C to +35 °C	Inside Luminaire	Off grid	30% Dusk to dawn, 100% on motion.	(Sensor disabled for 5 Hrs, after 5 Hrs)
919515813567	BRP710 LED45 CW MR S1 12V FD30 Solar	-20 °C to +35 °C	Inside Luminaire	Off grid	5hrs 100% + 7 hrs 30%	
919515813568	BRP710 LED45 WW MR S1 12V LFP Solar	-20 °C to +35 °C	Inside Luminaire	Off grid	30% Dusk to dawn, 100% on motion.	(Sensor disabled for 5 Hrs, after 5 Hrs)

Order Code	Full Product Name	Ambient temperature range for discharging (when light is on)		Battery location	Grid connection type	Solar dimming profile
						disabled for 5 Hrs, after 5 Hrs)
919515813569	BRP710 LED45 NW MR S1 12V LFP Solar	-20 °C to +35 °C	Inside Luminaire	Off grid	30% Dusk to dawn, 100% on motion.	(Sensor disabled for 5 Hrs, after 5 Hrs)
919515813570	BRP710 LED45 WW MR S1 12V FD30 Solar	-20 °C to +35 °C	Inside Luminaire	Off grid	5hrs 100% + 7 hrs 30%	
919515813571	BRP710 LED45 NW MR S1 12V FD30 Solar	-20 °C to +35 °C	Inside Luminaire	Off grid	5hrs 100% + 7 hrs 30%	
919515814302	BRP710 LED45 WW 60MO	-20 °C to +35 °C	Inside Luminaire	Off grid	30% Dusk to dawn, 100% on motion.	(Sensor

Order Code	Full Product Name	Ambient temperature range for discharging (when light is on)		Battery location	Grid connection type	Solar dimming profile
	PDIM30 BLE Solar					disabled for 5 Hrs, after 5 Hrs)
919515898029	BRP710 LED45 NW 60MO PDIM30 BLE SOLAR EX	-20 °C to +35 °C	Inside Luminaire	Off grid	30% Dusk to dawn, 100% on motion.	(Sensor disabled for 5 Hrs, after 5 Hrs)
919615811265	BRP710 P LED45 CW MR 12V LFP Solar P4125	-20 °C to +35 °C	Inside Luminaire	Off grid	30% Dusk to dawn, 100% on motion.	(Sensor disabled for 5 Hrs, after 5 Hrs)
919515813996	BRP710 LED45 WW MR HY SOLAR	-20 °C to +35 °C	Inside Luminaire	Hybrid	100% Dusk to dawn	

Operating and electrical

Order Code	Full Product Name	Battery ampere hour	Cable connection kit	Charge controller type	Charge controller wattage	Panel peak wattage	Panel type	Panel voltage
919415811054	SPARE BT LFP 12.8V 13.6Ah SOLAR EQUIP	13.6 Ah	-	-	-	-	-	-
919415811055	SPARE BT LFP 12.8V 20Ah SOLAR EQUIP	20 Ah	-	-	-	-	-	-
919415811056	SPARE BT LFP 12.8V 30Ah SOLAR EQUIP	30 Ah	-	-	-	-	-	-
919515812387	BRP710 LED20 CW MR S1 12V LFP AIO Solar	13.6 Ah	-	MPPT	-	28 W	Poly crystalline	17 Vmp, 21 Voc V
919515812388	BRP710 LED30 CW MR S1 12V LFP AIO Solar	20 Ah	-	MPPT	-	35 W	Mono crystalline	17 Vmp, 21 Voc V
919515812966	BRP710 LED20 WW MR 12V LFP Solar	13.6 Ah	-	MPPT	-	28 W	Poly crystalline	17 Vmp, 21 Voc V
919515812971	BRP710 LED30 WW MR 12V LFP AIO Solar	20 Ah	-	MPPT	-	35 W	Mono crystalline	17 Vmp, 21 Voc V
919515812978	BRP710 LED20 NW MR 12V LFP Solar	13.6 Ah	-	MPPT	-	28 W	Poly crystalline	17 Vmp, 21 Voc V
919515812983	BRP710 LED30 NW MR 12V LFP AIO Solar	20 Ah	-	MPPT	-	35 W	Mono crystalline	17 Vmp, 21 Voc V
919515814304	BRP710 LED30 WW 60MO PDIM30 BLE Solar	30 Ah	-	MPPT	-	60 W	Mono crystalline	17 V
919515898027	BRP710 LED30 NW 35MO PDIM30 BLE SOLAR EX	20 Ah	-	MPPT	-	35 W	Mono crystalline	17 V
919515898031	BRP710 LED30 NW 60MO PDIM30 BLE SOLAR EX	30 Ah	-	MPPT	-	60 W	Mono crystalline	17 V
919515898033	BRP710 LED20 WW 35MO PDIM50 BLE SOLAR EX	20 Ah	-	MPPT	-	35 W	Mono crystalline	17 V

Order Code	Full Product Name	Battery ampere hour	Cable connection kit	Charge controller type	Charge controller wattage	Panel peak wattage	Panel type	Panel voltage
919515898034	BRP710 LED20 NW 35MO PDIM50 BLE SOLAR EX	20 Ah	-	MPPT	-	35 W	Mono crystalline	17 V
919515812830	BRP710 LED45 CW MR S1 12V LFP Solar IN	30 Ah	-	MPPT	-	60 W	Mono crystalline	17 Vmp, 21 Voc V
919515813566	BRP710 LED45 CW MR S1 12V LFP Solar	30 Ah	-	MPPT	-	60 W	Mono crystalline	17 Vmp, 21 Voc V
919515813567	BRP710 LED45 CW MR S1 12V FD30 Solar	30 Ah	-	MPPT	-	60 W	Mono crystalline	17 Vmp, 21 Voc V
919515813568	BRP710 LED45 WW MR S1 12V LFP Solar	30 Ah	-	MPPT	-	60 W	Mono crystalline	17 Vmp, 21 Voc V
919515813569	BRP710 LED45 NW MR S1 12V LFP Solar	30 Ah	-	MPPT	-	60 W	Mono crystalline	17 Vmp, 21 Voc V
919515813570	BRP710 LED45 WW MR S1 12V FD30 Solar	30 Ah	-	MPPT	-	60 W	Mono crystalline	17 Vmp, 21 Voc V
919515813571	BRP710 LED45 NW MR S1 12V FD30 Solar	30 Ah	-	MPPT	-	60 W	Mono crystalline	17 Vmp, 21 Voc V
919515814302	BRP710 LED45 WW 60MO PDIM30 BLE Solar	30 Ah	-	MPPT	-	60 W	Mono crystalline	17 V
919515898029	BRP710 LED45 NW 60MO PDIM30 BLE SOLAR EX	30 Ah	-	MPPT	-	60 W	Mono crystalline	17 V
919515811265	BRP710 P LED45 CW MR 12V LFP Solar P4125	30 Ah	-	MPPT	-	60 W	Mono crystalline	17 Vmp, 21 Voc V
919515813996	BRP710 LED45 WW MR HY SOLAR	30 Ah	Included	MPPT	25 W	60 W	Mono crystalline	17 Vmp, 21 Voc V

Mechanical and housing

Order Code	Full Product Name	Colour	Overall height	Overall length	Overall width
919415811054	SPARE BT LFP 12.8V 13.6Ah SOLAR EQUIP	-	220 mm	175 mm	50 mm
919415811055	SPARE BT LFP 12.8V 20Ah SOLAR EQUIP	-	300 mm	175 mm	60 mm
919415811056	SPARE BT LFP 12.8V 30Ah SOLAR EQUIP	-	300 mm	175 mm	60 mm
919515812387	BRP710 LED20 CW MR S1 12V LFP AIO Solar	Grey	156 mm	684 mm	369 mm
919515812388	BRP710 LED30 CW MR S1 12V LFP AIO Solar	Grey	156 mm	684 mm	369 mm
919515812966	BRP710 LED20 WW MR 12V LFP Solar	Grey	156 mm	684 mm	369 mm
919515812971	BRP710 LED30 WW MR 12V LFP AIO Solar	Grey	156 mm	684 mm	369 mm
919515812978	BRP710 LED20 NW MR 12V LFP Solar	Grey	156 mm	684 mm	369 mm
919515812983	BRP710 LED30 NW MR 12V LFP AIO Solar	Grey	156 mm	684 mm	369 mm
919515814304	BRP710 LED30 WW 60MO PDIM30 BLE Solar	RAL 7011	156 mm	684 mm	369 mm
919515898027	BRP710 LED30 NW 35MO PDIM30 BLE SOLAR EX	RAL 7011	156 mm	684 mm	369 mm
919515898031	BRP710 LED30 NW 60MO PDIM30 BLE SOLAR EX	RAL 7011	156 mm	684 mm	369 mm
919515898033	BRP710 LED20 WW 35MO PDIM50 BLE SOLAR EX	RAL 7011	156 mm	684 mm	369 mm

Order Code	Full Product Name	Colour	Overall height	Overall length	Overall width
919515898034	BRP710 LED20 NW 35MO PDIM50 BLE SOLAR EX	RAL 7011	156 mm	684 mm	369 mm
919515812830	BRP710 LED45 CW MR S1 12V LFP Solar IN	Grey	188 mm	757 mm	511 mm
919515813566	BRP710 LED45 CW MR S1 12V LFP Solar	Grey	188 mm	757 mm	511 mm
919515813567	BRP710 LED45 CW MR S1 12V FD30 Solar	Grey	188 mm	757 mm	511 mm
919515813568	BRP710 LED45 WW MR S1 12V LFP Solar	Grey	188 mm	757 mm	511 mm
919515813569	BRP710 LED45 NW MR S1 12V LFP Solar	Grey	188 mm	757 mm	511 mm
919515813570	BRP710 LED45 WW MR S1 12V FD30 Solar	Grey	188 mm	757 mm	511 mm
919515813571	BRP710 LED45 NW MR S1 12V FD30 Solar	Grey	188 mm	757 mm	511 mm
919515814302	BRP710 LED45 WW 60MO PDIM30 BLE Solar	RAL 7011	188 mm	757 mm	511 mm
919515898029	BRP710 LED45 NW 60MO PDIM30 BLE SOLAR EX	RAL 7011	188 mm	757 mm	511 mm
919615811265	BRP710 P LED45 CW MR 12V LFP Solar P4125	Grey	188 mm	757 mm	511 mm
919515813996	BRP710 LED45 WW MR HY SOLAR	RAL 7011	188 mm	757 mm	511 mm

Approval and application

Order Code	Full Product Name	Ingress protection code
919415811054	SPARE BT LFP 12.8V 13.6Ah SOLAR EQUIP	-
919415811055	SPARE BT LFP 12.8V 20Ah SOLAR EQUIP	-
919415811056	SPARE BT LFP 12.8V 30Ah SOLAR EQUIP	-
919515812387	BRP710 LED20 CW MR S1 12V LFP AIO Solar	IP65
919515812388	BRP710 LED30 CW MR S1 12V LFP AIO Solar	IP65
919515812966	BRP710 LED20 WW MR 12V LFP Solar	IP65
919515812971	BRP710 LED30 WW MR 12V LFP AIO Solar	IP65
919515812978	BRP710 LED20 NW MR 12V LFP Solar	IP65
919515812983	BRP710 LED30 NW MR 12V LFP AIO Solar	IP65
919515814304	BRP710 LED30 WW 60MO PDIM30 BLE Solar	IP65
919515898027	BRP710 LED30 NW 35MO PDIM30 BLE SOLAR EX	IP65
919515898031	BRP710 LED30 NW 60MO PDIM30 BLE SOLAR EX	IP65
919515898033	BRP710 LED20 WW 35MO PDIM50 BLE SOLAR EX	IP65

Controls and dimming

Order Code	Full Product Name	Dimmable	Configurability
919415811054	SPARE BT LFP 12.8V 13.6Ah SOLAR EQUIP	-	-
919415811055	SPARE BT LFP 12.8V 20Ah SOLAR EQUIP	-	-
919415811056	SPARE BT LFP 12.8V 30Ah SOLAR EQUIP	-	-
919515812387	BRP710 LED20 CW MR S1 12V LFP AIO Solar	Yes	Factory Configurable
919515812388	BRP710 LED30 CW MR S1 12V LFP AIO Solar	Yes	Factory Configurable
919515812966	BRP710 LED20 WW MR 12V LFP Solar	Yes	Factory Configurable
919515812971	BRP710 LED30 WW MR 12V LFP AIO Solar	Yes	Factory Configurable
919515812978	BRP710 LED20 NW MR 12V LFP Solar	Yes	Factory Configurable
919515812983	BRP710 LED30 NW MR 12V LFP AIO Solar	Yes	Factory Configurable
919515814304	BRP710 LED30 WW 60MO PDIM30 BLE Solar	Yes	Configurable
919515898027	BRP710 LED30 NW 35MO PDIM30 BLE SOLAR EX	Yes	Configurable
919515898031	BRP710 LED30 NW 60MO PDIM30 BLE SOLAR EX	Yes	Configurable
919515898033	BRP710 LED20 WW 35MO PDIM50 BLE SOLAR EX	Yes	Configurable

Initial performance (IEC compliant)

Order Code	Full Product Name	Init. Corr. Colour	Init. Colour rendering
919415811054	SPARE BT LFP 12.8V 13.6Ah SOLAR EQUIP	-	-

Order Code	Full Product Name	Ingress protection code
919515898034	BRP710 LED20 NW 35MO PDIM50 BLE SOLAR EX	IP65
919515812830	BRP710 LED45 CW MR S1 12V LFP Solar IN	IP65
919515813566	BRP710 LED45 CW MR S1 12V LFP Solar	IP65
919515813567	BRP710 LED45 CW MR S1 12V FD30 Solar	IP65
919515813568	BRP710 LED45 WW MR S1 12V LFP Solar	IP65
919515813569	BRP710 LED45 NW MR S1 12V LFP Solar	IP65
919515813570	BRP710 LED45 WW MR S1 12V FD30 Solar	IP65
919515813571	BRP710 LED45 NW MR S1 12V FD30 Solar	IP65
919515814302	BRP710 LED45 WW 60MO PDIM30 BLE Solar	IP65
919515898029	BRP710 LED45 NW 60MO PDIM30 BLE SOLAR EX	IP65
919615811265	BRP710 P LED45 CW MR 12V LFP Solar P4125	IP65
919515813996	BRP710 LED45 WW MR HY SOLAR	IP65

Order Code	Full Product Name	Dimmable	Configurability
919515898034	BRP710 LED20 NW 35MO PDIM50 BLE SOLAR EX	Yes	Configurable
919515812830	BRP710 LED45 CW MR S1 12V LFP Solar IN	Yes	Factory Configurable
919515813566	BRP710 LED45 CW MR S1 12V LFP Solar	Yes	Factory Configurable
919515813567	BRP710 LED45 CW MR S1 12V FD30 Solar	Yes	Factory Configurable
919515813568	BRP710 LED45 WW MR S1 12V LFP Solar	Yes	Factory Configurable
919515813569	BRP710 LED45 NW MR S1 12V LFP Solar	Yes	Factory Configurable
919515813570	BRP710 LED45 WW MR S1 12V FD30 Solar	Yes	Factory Configurable
919515813571	BRP710 LED45 NW MR S1 12V FD30 Solar	Yes	Factory Configurable
919515814302	BRP710 LED45 WW 60MO PDIM30 BLE Solar	Yes	Configurable
919515898029	BRP710 LED45 NW 60MO PDIM30 BLE SOLAR EX	Yes	Configurable
919615811265	BRP710 P LED45 CW MR 12V LFP Solar P4125	Yes	Factory Configurable
919515813996	BRP710 LED45 WW MR HY SOLAR	Yes	Factory Configurable

Order Code	Full Product Name	Init. Corr. Colour	Init. Colour rendering
919415811055	SPARE BT LFP 12.8V 20Ah SOLAR EQUIP	-	-

Order Code	Full Product Name	Init. Corr. Colour Temperature	Init. Colour rendering index
919415811056	SPARE BT LFP 12.8V 30Ah SOLAR EQUIP	-	-
919515812387	BRP710 LED20 CW MR S1 12V LFP AIO Solar	5700 K	>70
919515812388	BRP710 LED30 CW MR S1 12V LFP AIO Solar	5700 K	>70
919515812966	BRP710 LED20 WW MR 12V LFP Solar	3000 K	>70
919515812971	BRP710 LED30 WW MR 12V LFP AIO Solar	3000 K	>70
919515812978	BRP710 LED20 NW MR 12V LFP Solar	4000 K	>70
919515812983	BRP710 LED30 NW MR 12V LFP AIO Solar	4000 K	>70
919515814304	BRP710 LED30 WW 60MO PDIM30 BLE Solar	3000 K	>70
919515898027	BRP710 LED30 NW 35MO PDIM30 BLE SOLAR EX	4000 K	>70
919515898031	BRP710 LED30 NW 60MO PDIM30 BLE SOLAR EX	4000 K	>70
919515898033	BRP710 LED20 WW 35MO PDIM50 BLE SOLAR EX	3000 K	>70
919515898034	BRP710 LED20 NW 35MO PDIM50 BLE SOLAR EX	4000 K	>70

Order Code	Full Product Name	Init. Corr. Colour Temperature	Init. Colour rendering index
919515812830	BRP710 LED45 CW MR S1 12V LFP Solar IN	5700 K	>70
919515813566	BRP710 LED45 CW MR S1 12V LFP Solar	5700 K	>70
919515813567	BRP710 LED45 CW MR S1 12V FD30 Solar	5700 K	>70
919515813568	BRP710 LED45 WW MR S1 12V LFP Solar	3000 K	>70
919515813569	BRP710 LED45 NW MR S1 12V LFP Solar	4000 K	>70
919515813570	BRP710 LED45 WW MR S1 12V FD30 Solar	3000 K	>70
919515813571	BRP710 LED45 NW MR S1 12V FD30 Solar	4000 K	>70
919515814302	BRP710 LED45 WW 60MO PDIM30 BLE Solar	3000 K	>70
919515898029	BRP710 LED45 NW 60MO PDIM30 BLE SOLAR EX	4000 K	>70
919615811265	BRP710 P LED45 CW MR 12V LFP Solar P4125	5700 K	>70
919515813996	BRP710 LED45 WW MR HY SOLAR	3000 K	>70



© 2022 Signify Holding All rights reserved. Signify does not give any representation or warranty as to the accuracy or completeness of the information included herein and shall not be liable for any action in reliance thereon. The information presented in this document is not intended as any commercial offer and does not form part of any quotation or contract, unless otherwise agreed by Signify. All trademarks are owned by Signify Holding or their respective owners.

DATASHEET

SMART Solar Lighting

AE3 Series

Leadsun's AE3 series is available in either a sleek looking All-In-One model, or a Split system with separate solar/battery module and LED light head with built-in PIR motion sensor.

The split unit is the world's first International Dark Sky approved solar lighting product. It's design guarantees perfect PV (photo-voltaic) solar orientation for optimum daytime charging and ensures layered LED light distribution without emitting any upward light pollution

All-In-One Model

For north facing solar PV orientation

Split Model

Universal installation &
Dark Sky Approved

Flexible installation

Sleek & modular design

10 + year battery performance

All electronic components of the modular AE3 system are integrated in the 60W or 90W mono-crystalline solar modules. They also house the ingenious patented dual battery system that provides double the life compared to traditional solar lights batteries.

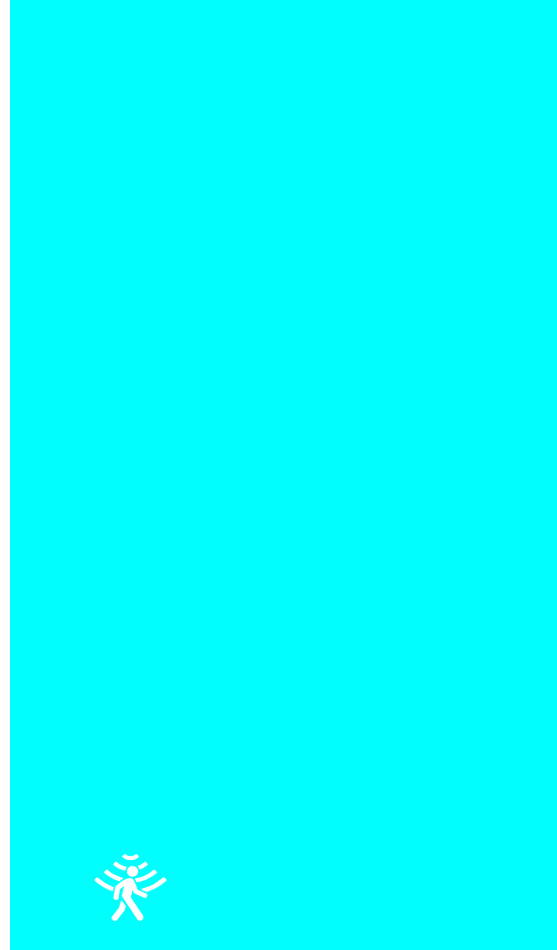
The programmable controller and smart-eye motion sensor provides responsive and autonomous dimming of the LED throughout the night delivering high quality illumination where and when you need it the most.

The system can be installed in no-time using our concrete-less footings and lowerable poles, creating a system you can set-and-forget.



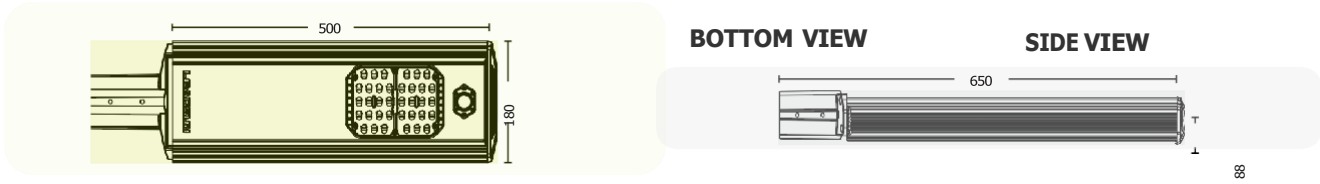
LEADSUN
EST. 2005

ALWAYS DEPENDABLE



CE | IP66 | IK08

Luminaire LED Light Head (mm)

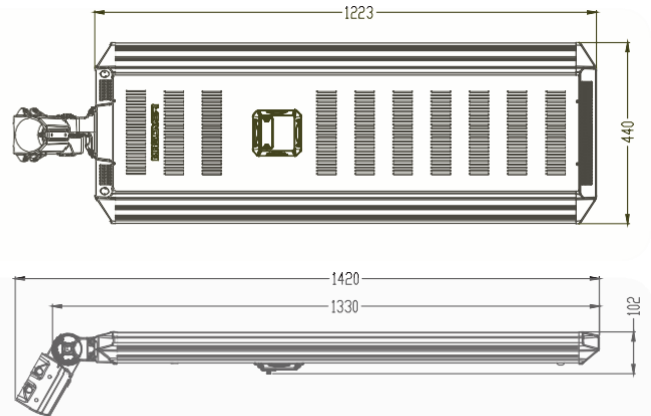
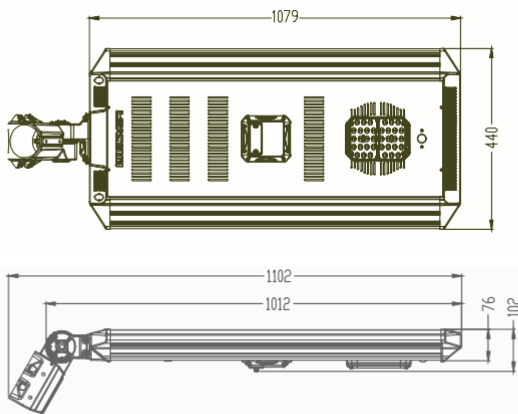


Model No.	L3SS10-20	L3SS30-20
Physical Parameters		
Net weight of product (kg)	3.8	3.8
Dimension of product (mm)	680(L) × 128(W) × 74(D)	680(L) × 128(W) × 74(D)
Pole mounting diameter (mm)	60 - 90	60 - 90
Technical & Operating Parameters		
Light output (W)	10	30
LED colour temperature (K)	3000	3000
LED typical luminous flux (lm)	1800	5400
Motion sensor type	Passive Infra Red	Passive Infra Red
LED distribution type	T2/T3	T2/T3

Solar Engine Module (mm)

AE3S60N (60W Solar Module)

AE3S90R (90W Solar Module)



Model No.	AE3S60N	AE3S90R
Physical Parameters		
Solar module power output (W)	60	90
Lithium battery capacity (Wh)	2 x 154Wh (308Wh)	2 x 308Wh (616Wh)
Net weight of product (kg)	15.3	19.6
Product dimension (mm)	1079(L) × 440(W) × 102(D)	1421(L) × 440(W) × 102(D)
Pole mounting diameter (mm)	55 - 76	55 - 76
System wind speed rating (kph)	178	178
Technical & Operating Parameters		
Battery voltage & cycle life	12.8Vdc/ >5000 cycles	12.8Vdc/ >5000 cycles
Battery charging temperature range	0°C-60°C	0°C-60°C
Battery discharging temperature range	-20°C-60°C	-20°C-60°C
Controller type	PWM (Programmable via USB)	PWM (Programmable via USB)
Wireless control & monitoring option	Optional	Optional
Photoelectric switch on/off level (lx)	30	30

Note: IDA certification requires 3000K CCT or lower and the fixture to be mounted at 90°
220519

Datasheet AE3 Series

Rev A - 2024

